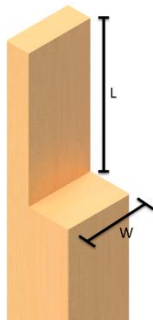


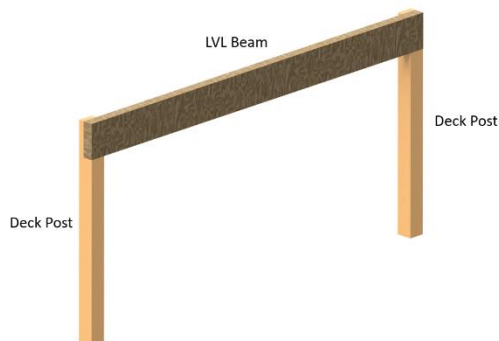
SERIES 5: BEAM TO POST BRACKET ASSEMBLY GUIDE

Structural Deck Support System: Product Numbers: H5-GBL3 (Also applies to H5-GBR3)

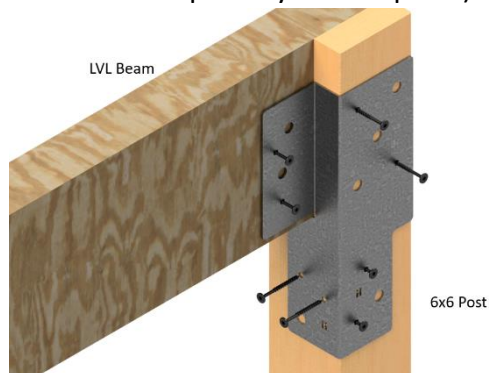
STEP 1: Notch the one end of each deck post to accommodate the beam used. In this case, we are using a 3 1/2" x 12" LVL or PSL beam so the notch is 11.25" long (L) and 3" deep (W).



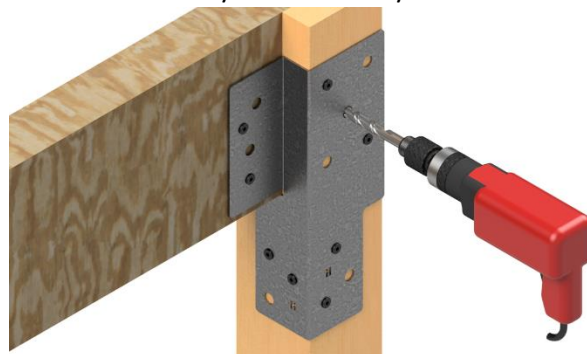
STEP 2: Set the beam across the posts as shown. Fasten overlapped boards temporarily to hold them in place.



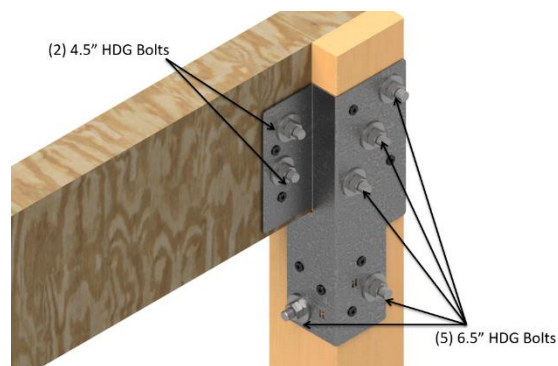
STEP 3: Place the H5-GBL3 bracket flush against post, ensuring the bracket is flush along the bottom of the beam (Optional: Can use screws or nails to temporarily hold in place).



STEP 4: Drill, using each bolt hole in bracket as guides, through all lumber with a minimum 1/2" hole for 1/2" bolts or 5/8" hole for 5/8" bolts.



STEP 5: Pushing bolts through the outside, fasten them inside the deck with provided fasteners. Torque per recommended wood council specs. Bolts are 1/2" diameter minimum. *Installation Complete!*



FOR ILLUSTRATED PURPOSES ONLY: SEE ADDITIONAL GUIDELINES PER DECK DESIGN PROFESSIONAL & LOCAL CODE AUTHORITY. INSTALLER IS RESPONSIBLE FOR PREVENTING WATER INTRUSION. TIGHTEN ALL BOLTS & SEAL ALL CAULK. FASTENERS MUST MEET OR EXCEED LOCAL CODE (REC: HDG ASTM 123 HOT DIPPED GALVANIZED OR STAINLESS STEEL) INSTALL ONLY IN PROVIDED, SPECIFIED HOLES. SEE HDGEP.COM FOR SPECS/VIDEOS