

HDG ENGINEERED PRODUCTS

Multi Story Post Bracket Assembly



Featuring
The H3-GPM Bracket

Multistory Bracket Assembly Guide

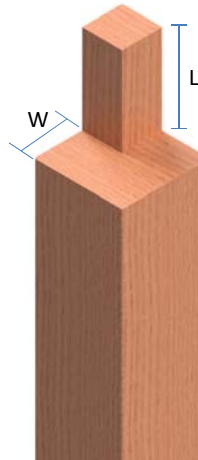
Read Guide Completely Before Installation

- **Check for Additional Requirements**
 - Per Deck Design Professional AND local code authority
- **Water Intrusion**
 - ****INSTALLER IS RESPONSIBLE FOR PREVENTING WATER INTRUSION****
 - Verify all bolts and caulks are tightened
- **Fasteners:**
 - Installed **ONLY** in provided and specified holes
 - Are to meet or exceed local code requirements.
 - Recommended: HDG ASTM 123 Hot Dipped Galvanized or Stainless Steel
- **Certifications:**
 - HDG, Inc. Engineered Products: **Subject to 1 Year Limited Warranty**
 - USPTO: No. 10,024,046: Bracket Bracing System
 - Copyright © 2018 HDG, Inc. ~ All Rights Reserved
 - Terms of Use: Listed @ www.hdgep.com

**Instructions are not intended to replace deck construction plans.
Shown for product illustration purposes only.**

Contact: info@hdgep.com or 770) 777-7007 Ext 234 for Additional Information
See www.hdgep.com for Instructional Video and Individual Product Specifications

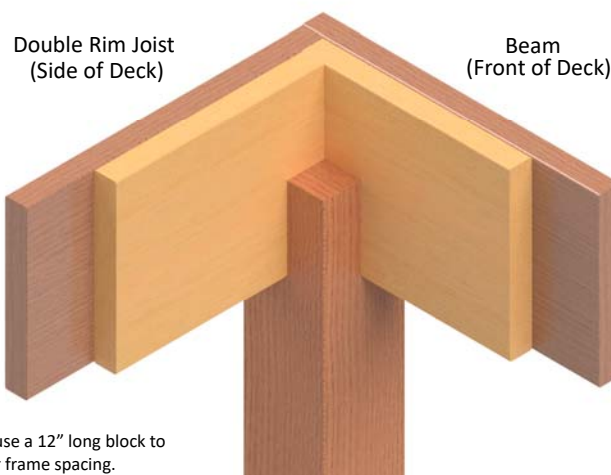
Notch the one end of each deck post to accommodate the beam and rim joist used.



In this case we are using (2) 2x12s for beam and rim joist so the notch is 5 1/2" long (L) (half the height of the beam) and 3" deep (W) on 2 sides.

3


Overlap the rim joist and beam as shown of using 2x Lumber



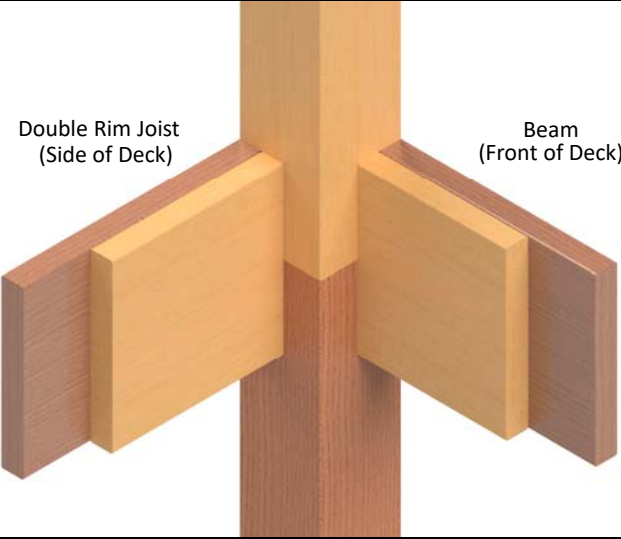
For Single Rim Joist use a 12" long block to permit proper frame spacing.

Nail overlapped boards typically to hold them in place.

4


Excessus Products

Mount top post in orientation shown, allowing the notched end to fit.




Double Rim Joist
(Side of Deck)

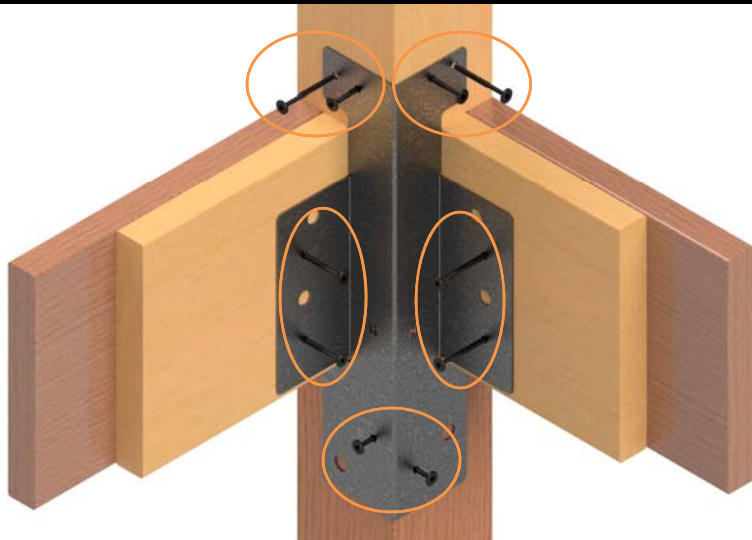
Beam
(Front of Deck)

Toenail as necessary to temporarily hold post position in place.

5


Excessus Products

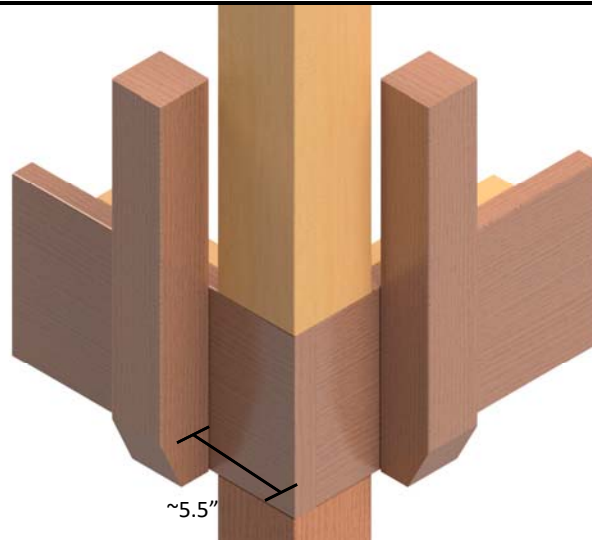
Place the H3-GPM bracket flush against post, insuring the bracket is flush along the bottom of the rim joist and beam.



(Optional: can use screws or nails to temporarily hold in place.)

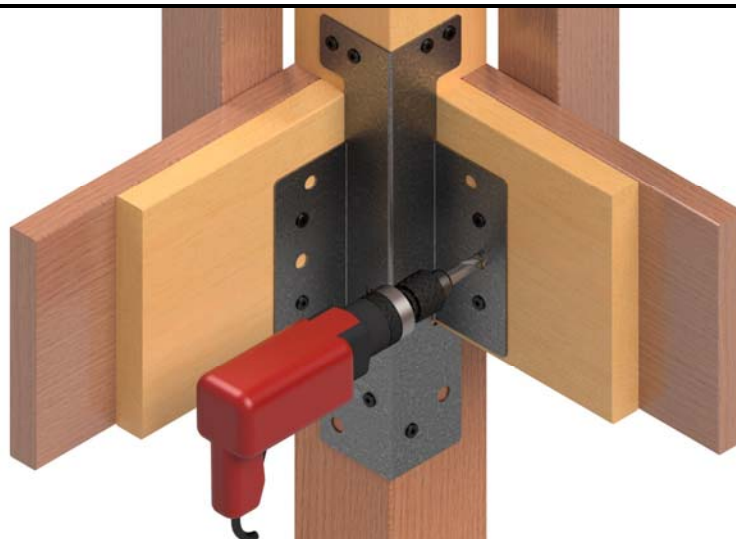
6

Cut 4x4 handrail posts and toenail or clamp them so that they align with the bolt holes on the bracket side flanges.



7

Drill, using each bolt hole in bracket as guides, through all lumber with a minimum $\frac{1}{2}$ " hole for $\frac{1}{2}$ " bolts.



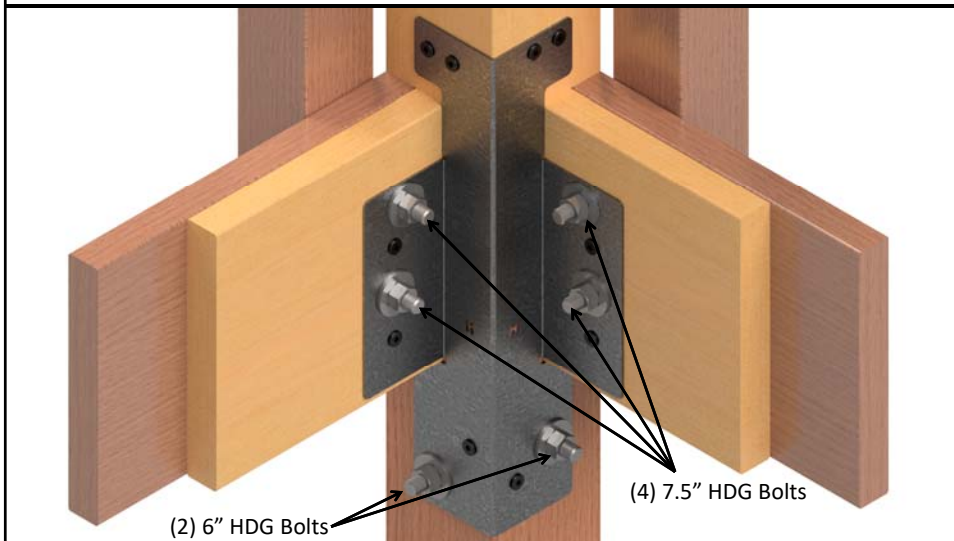
8

Pushing bolts through the outside, fasten them inside the deck with provided fasteners.



9

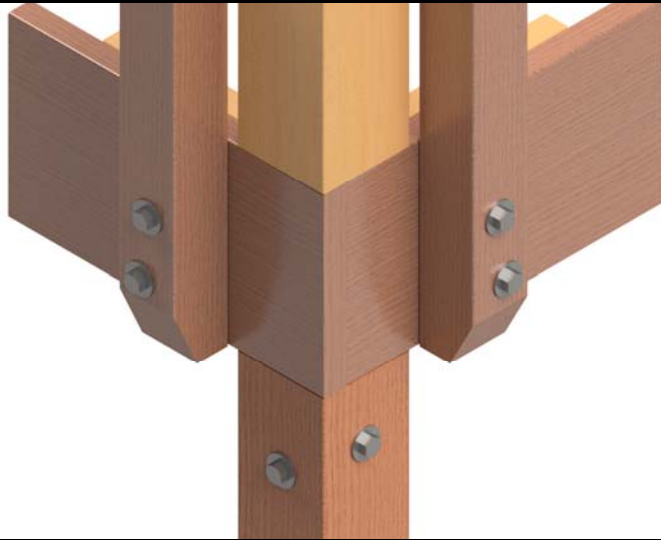
Pushing bolts through from the outside, fasten them inside the deck with provided fasteners.



Bolts are 1/2" diameter minimum.

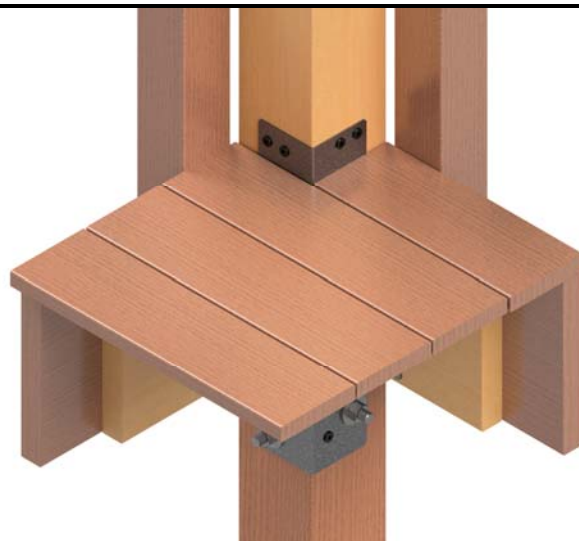
10

Pushing bolts through the outside, fasten them inside the deck with provided fasteners.



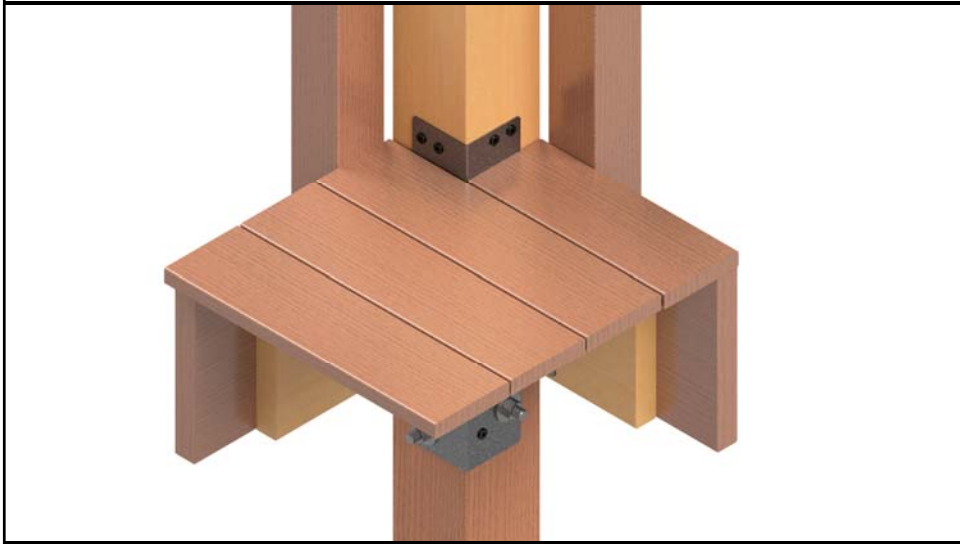
11

Install 5/4 board decking flush across deck.



12

Installation Complete!



209 Tidwell Drive Alpharetta, Georgia 30004

www.hdgep.com

Office 770-777-7007 ~ ext. 234

13

USPTO No. 10,024,046: Bracket Bracing System - Copyright© 2018 HDG, Inc. All Rights Reserved - Terms of Use Listed @ www.hdgep.com